

Universal Tablet Stand

Contents

Important User Information	2	Parts List	3
General	2	Assembly	4
Manufacturer	2	Operation	6
Intended Use	2	Universal Tablet Mount Adjustment	6
Warranty	2	Frame Adapters for Larger Tablets	8
Required Tools	2		



Visit the Universal Tablet Stand web page at wengercorp.com for more information.

Note: Please read and understand these instructions before proceeding.
Note: If you need additional information, contact Wenger Corporation using the information below.

Important User Information

General

Copyright © 2024 by Wenger Corporation

All rights reserved. No part of the contents of this manual may be reproduced, copied, or transmitted in any form or by any means including graphic, electronic, or mechanical methods or photocopying, recording, or information storage and retrieval systems without the written permission of the publisher, unless it is for the purchaser's personal use.

Printed and bound in the United States of America.

The information in this manual is subject to change without notice and does not represent a commitment on the part of Wenger Corporation. Wenger Corporation does not assume any responsibility for any errors that may appear in these instructions.

In no event will Wenger Corporation be liable for technical or editorial omissions made herein, nor for direct, indirect, special, incidental, or consequential damages resulting from the use or defect of these instructions. The manufacturer reserves the right to change this product at any time.

The information in this document is not intended to cover all possible conditions and situations that might occur. The end user must exercise caution and common sense when assembling or installing Wenger Corporation products. If any questions or problems arise, call the Wenger Corporation at (800) 4WENGER (493-6437) or +1-507-455-4100 worldwide.

Manufacturer

The Universal Tablet Stand is manufactured by:

Wenger Corporation
555 Park Drive
Owatonna, MN 55060
(800) 4WENGER (493-6437) • +1 (507) 455-4100
wengercorp.com

Intended Use

- This product is intended for indoor use in normal ambient temperature and humidity conditions – it must not be exposed to prolonged outside weather conditions.
- This product is intended to be assembled only as described in these instructions.

Warranty

Warranty information is available at wengercorp.com.

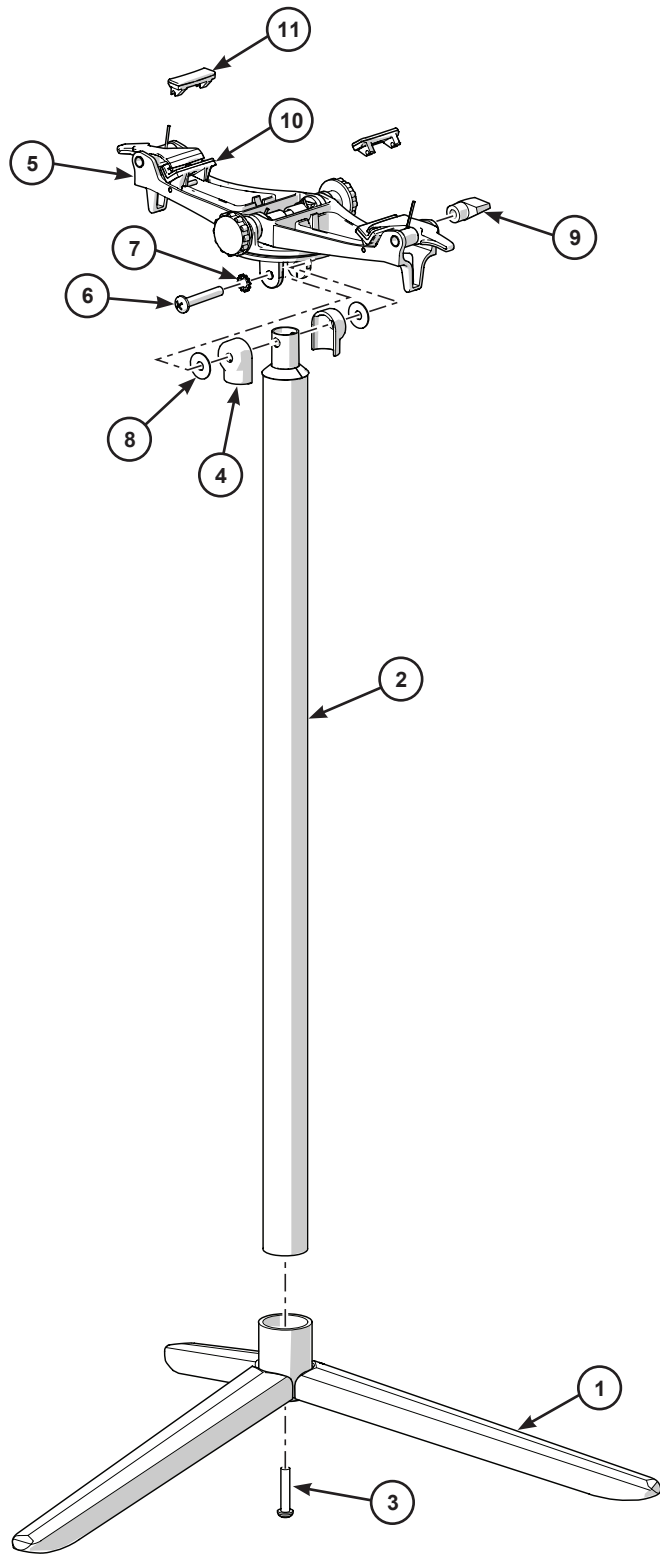
Required Tools

The following tools are required for assembly:

- Plastic or wood mallet
- 5/32" (4 mm) Hex wrench
- Phillips screwdriver
- Pliers

Parts List

Item	Qty	Description
1	1	Base Assembly
2	1	Slider Assembly
3	1	Socket Screw, 1/4-20 x 1.25"
4	2	Pivot Hub Half
5	1	Universal Tablet Mount
6	1	Pan Head Screw, 1-1/2"
7	1	Locking Washer
8	2	Rubber Washer
9	1	T-Knob
10	2	Small Frame Adapter
11	2	Large Frame Adapter



Assembly

1. Push the slider assembly (#2) into the base assembly (#1).

The base assembly may be tapped with a plastic or wood mallet until the slider assembly is flush with the bottom of the base assembly.

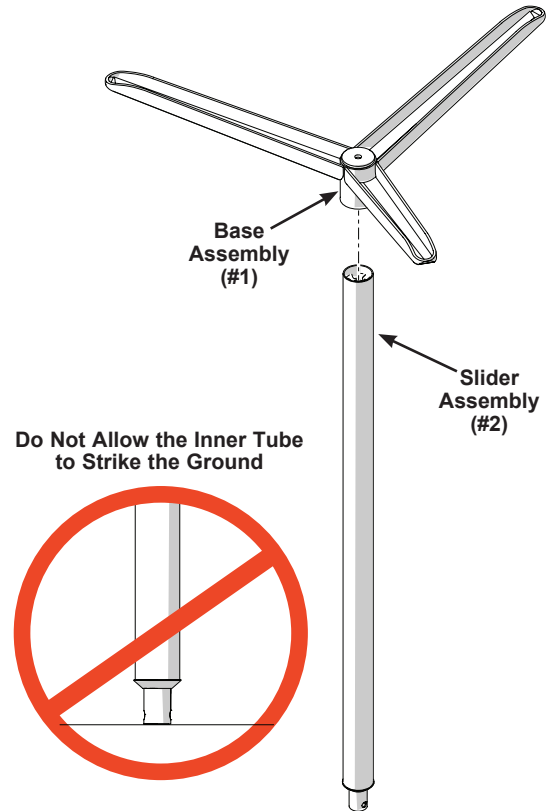
Hold the slider assembly up from the ground and do not allow it to strike the ground while tapping the base assembly or it could be damaged.

CAUTION

Do not allow the inner tube to strike the ground. Damage to the components could occur.

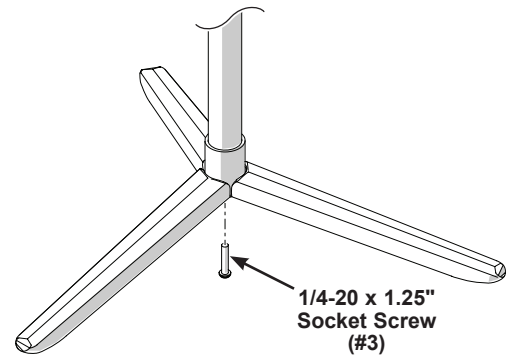
CAUTION

Do not force the slider assembly into the base assembly. Damage to the components could occur.



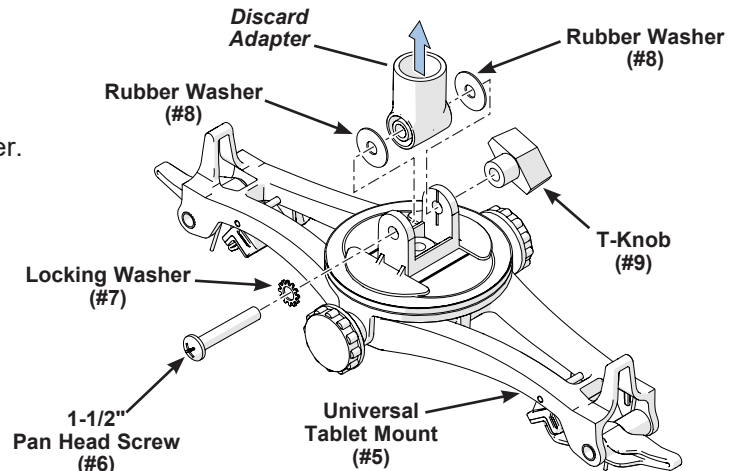
2. Attach the base assembly to the slider assembly using a 1/4-20 x 1.25" Socket screw (#3).

Tighten the socket screw using a 5/32" (4mm) hex key wrench until the slider assembly no longer rotates inside of the base assembly.



3. From the universal tablet mount (#5):

- a. Remove the 1-1/2" pan head screw (#6), locking washer (#7), rubber washers (#8), t-knob (#9) and set them aside for later use.
- b. Remove and discard the 5/8-27 UNF adapter.



Assembly (continued)

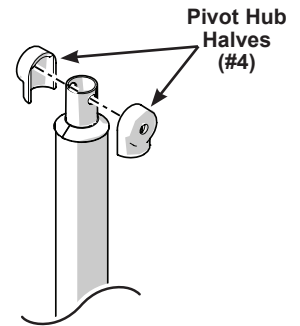
4. Align the hole in each pivot hub half (#4) with the holes of the inner tube of the slider assembly.

If adjustment is needed, insert an allen wrench through the holes at the end of the inner tube and use as a handle to extend the tube.

A pliers may also be used to grasp the wall of the inner tube to aid in extending it.

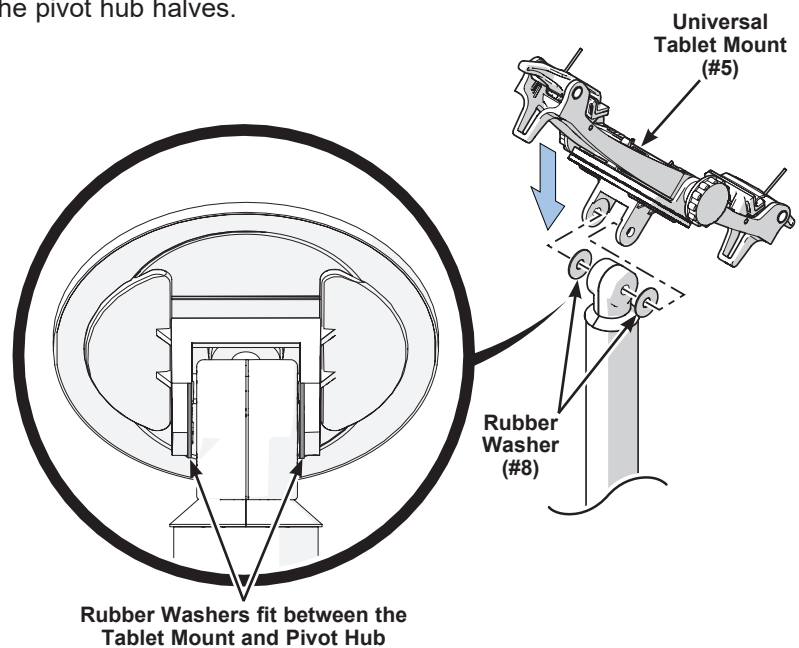
CAUTION

Be sure not to distort the shape of the inner tube with a pliers. Damage to the components could occur.



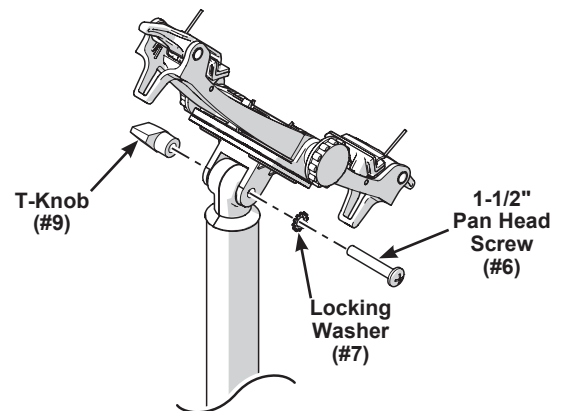
5. Place a rubber washer (#8) each side of the pivot hub halves.

Slide the universal tablet mount (#5) to fit onto the pivot hub and rubber washers.



6. Attach the universal tablet mount to the pivot hub with a 1-1/2" pan head screw (#6), locking washer (#7) and t-knob (#9).

These can be adjusted to control the pivot tension as necessary.

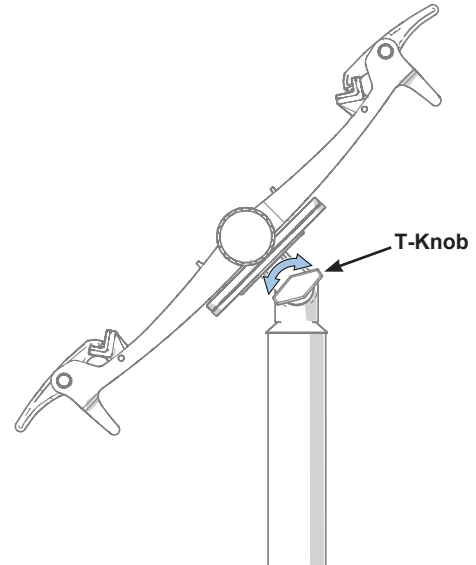


Operation

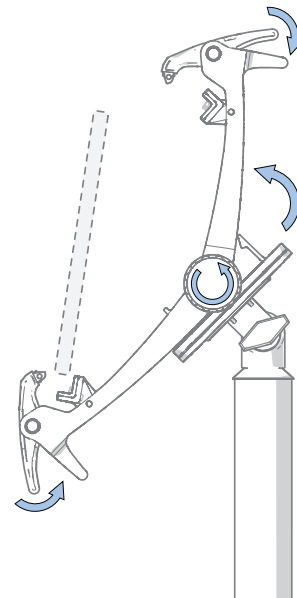
Universal Tablet Mount Adjustment

Use the Tablet Stand with care.

1. Rotate the Universal Mount so that one arm is up and the other is down.
The rotation tension can be adjusted by loosening or tightening the T-Knob.

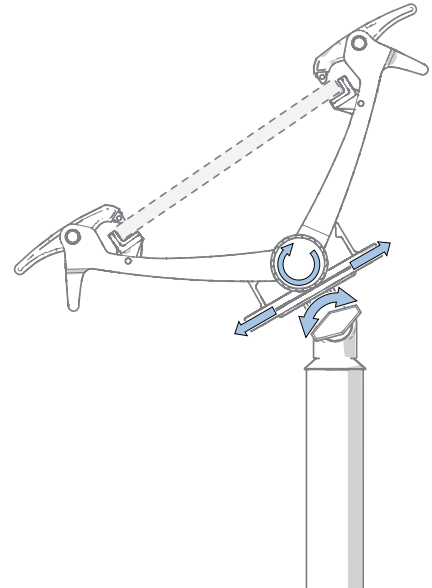


2. Loosen the side knobs to release the adjustable mount arms.
Squeeze open the clamp on the lower arm and insert the tablet.
3. Move the upper arm into place and clamp the other side of the tablet.



Operation (continued)

4. Inspect the insertion to make sure the pivot feet and clamps are firmly contacting the tablet.
Tighten the knobs to secure the installation.
5. Adjust the swivel mount base 360° for optimal viewings.



Operation (continued)

Frame Adapters for Larger Tablets

If a tablet is too large to fit in the small frame adapters (#10), replace them with large frame adapters (#11).

1. Remove both small frame adapters using a flat screwdriver to pry them from the pivot bar.
2. Push the large frame adapters onto the pivot bars.

